

Quick Reference

Scroll Compressors

SM - SY - SZ

R22 - R134a - R407C

50 Hz

Украина, Киев

+38 (063) 427-59-87

80634275987@ukr.net

Поставка, монтаж и сервисное обслуживание
промышленного холодильного и климатического
оборудования

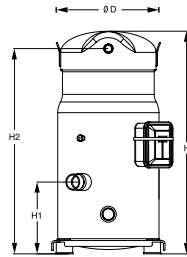


REFRIGERATION AND AIR CONDITIONING

Product range single compressor

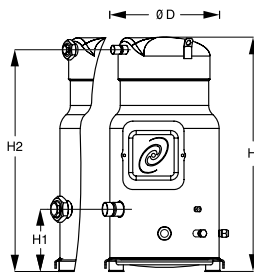
	D	H	H1	H2
S084 S090 S100	254	508	142	465
S110 S120	254	558	178	515
S148 S161	266	591	180	556

All dimensions in mm



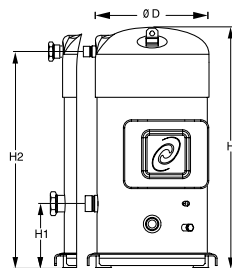
	D	H	H1	H2
S115 S125	254	586	180	538
S160	266	631	180	596
S175 S185	316	678	180	641

All dimensions in mm



	D	H	H1	H2
S240	344	729	196	656
S300	344	740	196	667

All dimensions in mm



Model	Nominal voltage				
	200-230/ 3/60	400/3/50 460/3/60	230/3/50	500/3/50 575/3/60	380/3/60
Model	Motor voltage code				
	3	4	6	7	9
SM / SZ 084	●	●	●	●	●
SM / SZ 090	●	●	●	●	●
SM / SZ 100	●	●	●	●	●
SM / SZ 110	●	●	●	●	●
SM / SZ 115	●●	●●	●●	●●	●●
SM / SZ 120	●	●	●	●	●
SM / SZ 125	●●	●●	●●	●●	●●
SM / SZ 148	●	●	●	●	●
SM / SZ 160	●●	●●	●●	●●	●●
SM / SZ 161	●	●	●	●	●
SM / SZ 175	●●	●●	●●	●●	●●
SM / SZ 185	●●	●●	●●	●●	●●
SY / SZ 240	●●	●●	●●	●●	●●
SY / SZ 300	●●	●●	●●	●●	●●

● Rotolock version - ● Brazed version

Family, lubricant & refrigerant	Nominal capacity	Voltage	Version	Packaging
S Z	1 8 5	- 4	R	I
S Y	3 0 0	A 9	A A	M

Family, lubricant & refrigerant
SM: Scroll, mineral oil, for R22
SY: Scroll, POE lubricant, for R22
SZ: Scroll, POE lubricant, for R407C - R134a

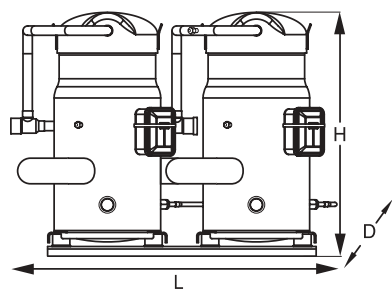
Nominal capacity
 Nominal capacity in thousand Btu/h at 60 Hz, R22, ARI conditions

Voltage
 Motor voltage code: Refer to above table

Packaging
I: Individual
M: Multiple

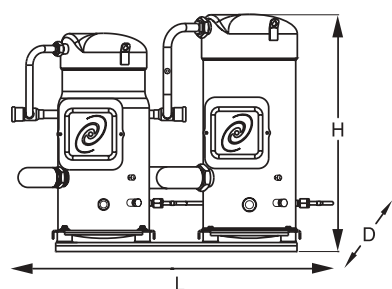
Motor protection type	Voltage		Version	Packaging	Applies to
Internal overload protector	V VA	V V	Brazed Brazed A	Evolution index	S 084 - 090 - 100 110 - 120 - 148 - 161
Internal thermostat, external overload protector required	C CA R RA	C C R R	Brazed Brazed Rotolock Rotolock	Evolution index Evolution index	S 115 - 125 - 160 175 - 185
Electronic protection module	AA AB MA MB	A A M M	Brazed Brazed Rotolock Rotolock	24V 115/230V 24V 115/230V	S 240 S 300

Product range tandem compressor



	L	D	H
S 170 - S 180 - S 200	757	423	532
S 220 - S 240	777	443	582
S 230 - S 250	836	480	603
S 320	911	480	657
S 296 - S 322	924	412	614
S 350 - S 370	1004	495	717

All dimensions in mm

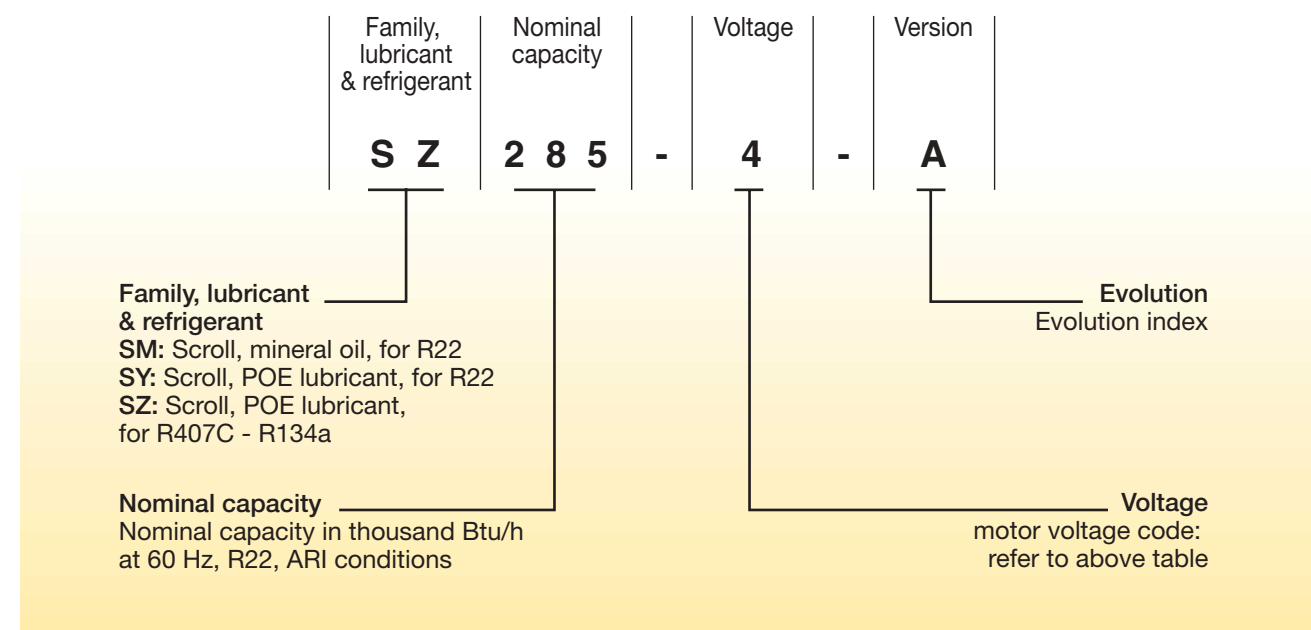


	L	D	H
S 285	884	480	657
S 290 - S 310	924	480	705

All dimensions in mm

Model	Composition	Nominal voltage				
		200-230/ 3/60	400/3/50 460/3/60	230/3/50	500/3/50 575/3/60	380/3/60
		Motor voltage code				
		3	4	6	7	9
SM / SZ 170	S084 + S084	●	●	●	●	●
SM / SZ 180	S090 + S090	●	●	●	●	●
SM / SZ 200	S100 + S100	●	●	●	●	●
SM / SZ 220	S110 + S110	●	●	●	●	●
SM / SZ 230	S115 + S115	●	●	●	●	●
SM / SZ 242	S120 + S120	●	●	●	●	●
SM / SZ 250	S125 + S125	●	●	●	●	●
SM / SZ 285	S160 + S125	●	●	●	●	●
SM / SZ 290	S175 + S115	●	●	●	●	●
SM / SZ 296	S148 + S148	●	●	●	●	●
SM / SZ 310	S185 + S125	●	●	●	●	●
SM / SZ 320	S160 + S160	●	●	●	●	●
SM / SZ 322	S161 + S161	●	●	●	●	●
SM / SZ 350	S175 + S175	●	●	●	●	●
SM / SZ 370	S185 + S185	●	●	●	●	●
SZ 425	S240 + S185	○	○	○	○	○
SY / SZ 482	S240 + S240	○	○	○	○	○
SZ 485	S300 + S185	○	○	○	○	○
SY / SZ 540	S300 + S240	○	○	○	○	○
SY / SZ 600	S300 + S300	○	○	○	○	○

● Factory built - ○ Field assembly



SM / SY R22
PERFORMANCE DATA

Model	To	- 20°C		- 15°C		- 10°C		- 5°C		0°C		5°C		10°C		15°C	
		Tc	Qo	Pe	Qo	Pe	Qo	Pe	Qo	Pe	Qo	Pe	Qo	Pe	Qo	Pe	Qo
SM084	35	7 700	4.0	9 900	4.0	12 500	4.0	15 500	4.0	18 900	4.0	22 800	4.0	27 200	3.9	32 100	3.9
	45	-	-	8 500	5.1	11 000	5.1	13 900	5.0	17 100	5.0	20 800	5.0	25 000	4.9	29 700	4.8
	55	-	-	-	-	-	-	12 000	6.4	15 000	6.3	18 500	6.2	22 500	6.2	26 900	6.1
SM090	35	8 600	4.3	10 900	4.4	13 600	4.4	16 700	4.4	20 200	4.4	24 300	4.4	28 900	4.4	34 100	4.4
	45	-	-	9 700	5.4	12 200	5.4	15 100	5.4	18 500	5.4	22 300	5.4	26 600	5.4	31 400	5.3
	55	-	-	-	-	-	-	13 300	6.7	16 400	6.7	19 900	6.6	23 900	6.6	28 400	6.5
SM100	35	9 000	4.6	11 500	4.6	14 400	4.7	17 700	4.7	21 500	4.7	25 800	4.7	30 700	4.7	36 200	4.7
	45	-	-	10 200	5.7	12 900	5.8	16 000	5.8	19 600	5.8	23 700	5.7	28 200	5.7	33 400	5.7
	55	-	-	-	-	-	-	14 200	7.1	17 400	7.1	21 200	7.1	25 400	7.0	30 200	7.0
SM110	35	10 200	5.2	13 000	5.2	16 200	5.2	20 000	5.2	24 200	5.2	29 000	5.2	34 400	5.2	40 400	5.2
	45	-	-	11 500	6.5	14 600	6.5	18 100	6.5	22 000	6.4	26 500	6.4	31 600	6.4	37 200	6.4
	55	-	-	-	-	-	-	15 900	8.0	19 600	8.0	23 800	7.9	28 400	7.9	33 700	7.8
SM115	35	11 200	5.4	13 900	5.4	17 100	5.4	20 800	5.5	25 100	5.5	30 000	5.4	35 600	5.4	41 800	5.4
	45	-	-	12 100	6.9	15 300	6.8	19 000	6.8	23 200	6.8	28 100	6.8	33 600	6.7	39 800	6.6
	55	-	-	-	-	-	-	16 500	8.6	20 700	8.5	25 500	8.5	31 000	8.4	37 100	8.3
SM120	35	11 800	6.0	15 200	6.0	19 000	6.0	23 300	5.9	28 200	5.9	33 700	5.9	39 900	5.9	46 700	5.9
	45	-	-	13 400	7.4	17 000	7.4	21 100	7.4	25 700	7.4	30 800	7.3	36 600	7.3	43 000	7.3
	55	-	-	-	-	-	-	18 600	9.2	22 800	9.2	27 600	9.1	33 000	9.0	38 900	9.0
SM125	35	12 000	5.8	15 000	5.8	18 400	5.9	22 400	5.9	27 000	5.9	32 300	5.9	38 200	5.8	45 000	5.8
	45	-	-	13 000	7.4	16 500	7.4	20 400	7.3	25 000	7.3	30 200	7.3	36 100	7.2	42 800	7.1
	55	-	-	-	-	-	-	17 700	9.3	22 300	9.2	27 400	9.1	33 300	9.0	39 900	8.9
SM148	35	14 800	7.0	18 500	7.0	22 900	7.1	27 800	7.1	33 600	7.2	40 100	7.2	47 500	7.3	55 900	7.3
	45	-	-	16 600	8.7	20 700	8.8	25 300	8.8	30 700	8.8	36 800	8.9	43 700	8.9	51 600	8.9
	55	-	-	-	-	-	-	22 600	10.9	27 500	10.9	33 100	10.9	39 500	11.0	46 800	11.0
SM160	35	15 500	7.6	19 600	7.7	24 300	7.8	29 700	7.9	35 900	8.0	43 000	8.1	50 900	8.1	59 800	8.2
	45	-	-	17 600	9.3	22 100	9.4	27 300	9.5	33 100	9.6	39 800	9.7	47 300	9.7	55 800	9.8
	55	-	-	-	-	-	-	24 100	11.6	29 600	11.6	35 800	11.7	42 900	11.8	50 800	11.8
SM161	35	16 000	7.5	20 100	7.6	24 700	7.6	30 100	7.6	36 300	7.7	43 400	7.7	51 400	7.8	60 500	7.8
	45	-	-	18 000	9.4	22 400	9.4	27 400	9.4	33 200	9.5	39 800	9.5	47 300	9.6	55 800	9.6
	55	-	-	-	-	-	-	24 400	11.7	29 700	11.7	35 800	11.7	42 800	11.8	50 600	11.8
SM175	35	17 000	8.1	21 300	8.1	26 400	8.2	32 300	8.3	39 000	8.4	46 600	8.4	55 200	8.5	64 800	8.5
	45	-	-	19 100	10.0	23 900	10.1	29 400	10.2	35 700	10.2	42 800	10.3	50 900	10.3	59 900	10.4
	55	-	-	-	-	-	-	26 200	12.4	32 000	12.5	38 500	12.6	46 000	12.6	54 400	12.7
SM185	35	18 400	8.8	23 100	8.9	28 600	9.0	35 000	9.1	42 200	9.1	50 500	9.2	59 800	9.3	70 200	9.3
	45	-	-	20 700	10.9	25 900	11.0	31 800	11.1	38 600	11.2	46 400	11.2	55 100	11.3	64 900	11.4
	55	-	-	-	-	-	-	28 400	13.6	34 600	13.7	41 800	13.8	49 800	13.8	58 900	13.9
SY240	35	25 100	11.7	31 400	11.8	38 800	12.0	47 300	12.1	57 100	12.4	68 300	12.6	81 000	13.0	95 300	13.3
	45	-	-	28 300	14.3	35 200	14.5	43 000	14.7	52 100	14.9	62 500	15.2	74 300	15.5	87 600	15.8
	55	-	-	-	-	-	-	38 400	17.8	46 600	18.0	56 100	18.3	67 000	18.6	79 300	18.9
SY300	35	31 900	14.2	39 900	14.5	49 300	14.8	60 300	15.1	73 100	15.6	87 900	16.1	104 800	16.7	124 100	17.4
	45	-	-	35 900	17.5	44 600	17.8	54 700	18.1	66 500	18.6	80 200	19.1	95 800	19.7	113 700	20.3
	55	-	-	-	-	-	-	48 600	22.0	59 200	22.4	71 600	22.8	85 900	23.4	102 300	24.1
SM170	35	15 200	8.0	19 500	8.0	24 600	8.0	30 500	8.0	37 200	8.0	44 900	7.9	53 500	7.9	63 200	7.8
	45	-	-	16 800	10.1	21 700	10.1	27 300	10.1	33 700	10.0	41 000	9.9	49 200	9.8	58 500	9.7
	55	-	-	-	-	-	-	23 600	12.7	29 600	12.6	36 500	12.5	44 300	12.3	53 100	12.1
SM180	35	16 900	8.6	21 400	8.7	26 700	8.8	32 800	8.8	39 900	8.8	47 900	8.8	56 900	8.8	67 100	8.7
	45	-	-	19 000	10.8	24 000	10.8	29 800	10.8	36 300	10.8	43 900	10.8	52 400	10.7	61 900	10.6
	55	-	-	-	-	-	-	26 200	13.4	32 300	13.3	39 300	13.3	47 100	13.2	56 000	13.1
SM200	35	17 700	9.2	22 600	9.3	28 300	9.3	34 800	9.3	42 300	9.4	50 900	9.4	60 500	9.4	71 300	9.4
	45	-	-	20 100	11.5	25 500	11.5	31 600	11.5	38 600	11.5	46 600	11.5	55 600	11.4	65 700	11.3
	55	-	-	-	-	-	-	27 900	14.3	34 400	14.2	41 700	14.1	50 000	14.0	59 400	13.9
SM220	35	20 000	10.4	25 500	10.4	32 000	10.4	39 300	10.4	47 700	10.5	57 100	10.5	67 700	10.4	79 500	10.4
	45	-	-	22 600	12.9	28 700	12.9	35 600	12.9	43 400	12.8	52 300	12.8	62 200	12.8	73 300	12.7
	55	-	-	-	-	-	-	31 400	16.0	38 600	16.0	46 800	15.9	56 000	15.8	66 300	15.6
SM230	35	22 000	10.8	27 400	10.9	33 700	10.9	41 000	10.9	49 500	10.9	59 100	10.9	70 100	10.9	82 400	10.8
	45	-	-	23 900	13.7	30 200	13.7	37 400	13.7	45 800	13.6	55 300	13.5	66 200	13.4	78 400	13.3
	55	-	-	-	-	-	-	32 500	17.2	40 800	17.1	50 200	16.9	61 000	16.7	73 100	16.5
SM242	35	23 300	12.0	29 900	11.9	37 400	11.9	45 900	11.9	55 600	11.9	66 400	11.9	78 500	11.8	92 000	11.8
	45	-	-	26 400	14.9	33 400	14.8	41 500	14.8	50 500	14.7	60 700	14.6	72 100	14.6	84 700	14.5
	55	-	-	-	-	-	-	36 600	18.4	45 000	18.3	54 400	18.2	64 900	18.1	76 600	17.9
SM250	35	23 700	11.6	29 500	11.7	36 200	11.7	44 100	11.7	53 200	11.7	63 500	11.7	75 300	11.7	88 600	11.6
	45	-	-	25 700	14.7	32 400	14.7	40 200	14.7	49 200	14.6	59 500	14.5	71 100	14.4	84 300	14.3
	55	-	-	-	-	-	-	35 000	18.5	43 800	18.4	54 000	18.2	65 600	18.0	78 600	17.7
SM285	35	27 100	13.4	34 000	13.5	42 100	13.6	51 400	13.7	62 000	13.8	74 100	13.9	87 800	14.0	103 200	14.1
	45	-	-	30 200	16.7	38 000	16.8	47 000	16.8	57 200	16.9	69 000	16.9	82 200	16.9	97 100	17.0
	55	-	-	-	-	-	-	41 200	20.8	51 100	20.8	62 300	20.8	75 000	20.8	89 300	20.7
SM290	35	27 700	13.5	34 700	13.6	42 900	13.7	52 300	13.8	63 100	13.8	75 400	13.9	89 400			

SZ R134a**PERFORMANCE DATA**

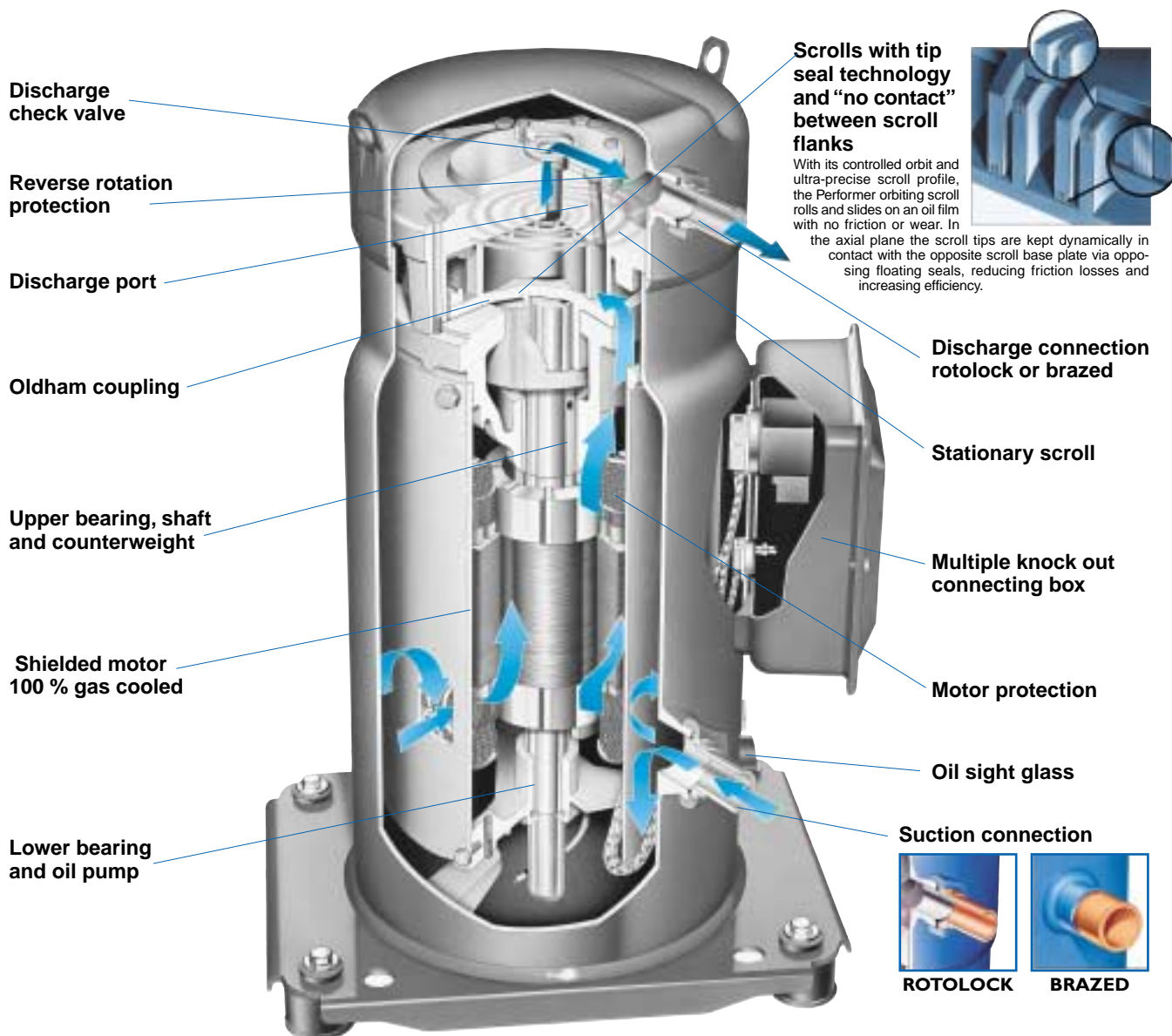
Model	To Tc	- 15°C		- 10°C		- 5°C		0°C		5°C		10°C		15°C	
		Qo	Pe	Qo	Pe	Qo	Pe	Qo	Pe	Qo	Pe	Qo	Pe	Qo	Pe
SZ084	35	6 200	2.8	8 000	2.8	10 100	2.8	12 600	2.8	15 400	2.7	18 700	2.7	22 400	2.6
	45	5 400	3.4	7 100	3.4	9 000	3.4	11 300	3.4	14 000	3.4	17 000	3.4	20 400	3.3
	55	-	-	6 100	4.3	7 900	4.3	9 900	4.3	12 400	4.3	15 100	4.3	18 300	4.2
SZ090	35	6 700	2.9	8 600	2.9	10 900	3.0	13 400	2.9	16 400	2.9	19 800	2.9	23 600	2.8
	45	5 900	3.6	7 700	3.7	9 800	3.7	12 200	3.7	14 900	3.7	18 000	3.6	21 600	3.6
	55	-	-	6 600	4.5	8 500	4.6	10 700	4.6	13 200	4.6	16 000	4.5	19 300	4.5
SZ100	35	7 300	3.1	9 400	3.1	11 700	3.1	14 400	3.1	17 500	3.1	21 000	3.1	25 000	3.1
	45	6 500	3.9	8 400	3.9	10 600	3.9	13 100	3.9	15 900	3.9	19 200	3.9	22 900	3.9
	55	-	-	7 300	4.8	9 300	4.8	11 500	4.9	14 100	4.9	17 100	4.9	20 400	4.8
SZ110	35	8 200	3.5	10 500	3.5	13 200	3.5	16 200	3.5	19 800	3.5	23 800	3.5	28 400	3.5
	45	7 300	4.3	9 400	4.4	11 900	4.4	14 700	4.4	18 000	4.4	21 800	4.4	26 000	4.3
	55	-	-	8 100	5.4	10 400	5.4	13 000	5.5	16 000	5.5	19 400	5.5	23 300	5.4
SZ115	35	9 000	3.8	11 600	3.8	14 500	3.8	17 900	3.8	21 800	3.8	26 300	3.7	31 200	3.7
	45	7 900	4.7	10 300	4.7	13 000	4.7	16 200	4.7	19 900	4.7	24 000	4.7	28 700	4.7
	55	-	-	8 900	5.9	11 400	5.9	14 300	5.9	17 600	5.9	21 400	5.9	25 700	5.9
SZ120	35	9 400	4.0	12 000	4.0	15 100	4.1	18 700	4.1	22 800	4.1	27 500	4.1	32 900	4.0
	45	8 300	5.0	10 700	5.0	13 600	5.0	16 900	5.0	20 700	5.0	25 200	5.0	30 200	5.0
	55	-	-	9 300	6.2	11 900	6.3	14 900	6.3	18 400	6.3	22 400	6.3	27 000	6.2
SZ125	35	9 600	4.1	12 300	4.1	15 500	4.1	19 100	4.1	23 300	4.0	28 000	4.0	33 300	3.9
	45	8 400	5.0	11 000	5.0	13 900	5.0	17 300	5.0	21 200	5.0	25 600	5.0	30 500	5.0
	55	-	-	9 500	6.3	12 100	6.3	15 200	6.3	18 800	6.3	22 800	6.3	27 400	6.2
SZ160	35	12 400	5.3	15 900	5.3	20 000	5.4	24 700	5.4	30 200	5.4	36 400	5.4	43 500	5.4
	45	10 900	6.4	14 100	6.5	18 000	6.5	22 400	6.6	27 500	6.6	33 300	6.6	39 900	6.6
	55	-	-	12 300	7.9	15 800	8.0	19 800	8.0	24 500	8.1	29 800	8.1	35 900	8.1
SZ161	35	12 000	5.2	15 300	5.2	19 200	5.3	23 800	5.3	29 200	5.4	35 500	5.4	42 700	5.4
	45	10 700	6.4	13 700	6.5	17 300	6.5	21 600	6.5	26 500	6.6	32 300	6.6	39 000	6.6
	55	-	-	12 100	8.0	15 300	8.0	19 200	8.1	23 700	8.1	28 900	8.1	35 000	8.1
SZ175	35	13 200	5.7	16 900	5.8	21 200	5.8	26 200	5.9	32 100	5.9	38 700	5.9	46 200	5.8
	45	11 600	6.9	15 000	7.0	19 100	7.1	23 800	7.1	29 200	7.1	35 400	7.2	42 400	7.1
	55	-	-	13 100	8.6	16 700	8.6	21 000	8.7	26 000	8.7	31 700	8.8	38 100	8.8
SZ185	35	14 000	6.1	18 000	6.1	22 600	6.2	27 900	6.2	34 100	6.3	41 200	6.3	49 200	6.2
	45	12 300	7.4	16 000	7.5	20 300	7.5	25 300	7.6	31 100	7.6	37 600	7.6	45 100	7.6
	55	-	-	13 900	9.1	17 800	9.2	22 400	9.3	27 700	9.3	33 700	9.3	40 600	9.3
SZ170	35	12 200	5.5	15 700	5.6	19 900	5.6	24 800	5.5	30 400	5.5	36 800	5.4	44 000	5.3
	45	10 600	6.9	13 900	6.9	17 800	6.9	22 300	6.9	27 500	6.8	33 500	6.8	40 300	6.7
	55	-	-	11 900	8.6	15 500	8.6	19 600	8.6	24 300	8.6	29 800	8.5	36 000	8.4
SZ180	35	13 300	5.9	17 000	5.9	21 400	5.9	26 500	5.9	32 300	5.8	39 000	5.8	46 500	5.7
	45	11 700	7.3	15 200	7.3	19 200	7.3	23 900	7.3	29 400	7.3	35 500	7.2	42 500	7.2
	55	-	-	13 100	9.1	16 800	9.1	21 100	9.1	26 000	9.1	31 600	9.1	38 000	9.0
SZ200	35	14 500	6.2	18 400	6.2	23 000	6.3	28 400	6.3	34 500	6.2	41 400	6.2	49 200	6.1
	45	12 900	7.7	16 500	7.8	20 800	7.8	25 800	7.8	31 400	7.8	37 800	7.8	45 100	7.7
	55	-	-	14 400	9.6	18 200	9.7	22 700	9.7	27 800	9.7	33 600	9.7	40 200	9.7
SZ220	35	16 300	7.0	20 700	7.0	25 900	7.1	32 000	7.1	39 000	7.1	46 900	7.0	56 000	6.9
	45	14 400	8.7	18 500	8.7	23 400	8.8	29 000	8.8	35 500	8.8	42 900	8.8	51 300	8.7
	55	-	-	16 100	10.8	20 500	10.9	25 600	10.9	31 400	10.9	38 200	10.9	45 900	10.9
SZ230	35	17 800	7.6	22 800	7.6	28 600	7.6	35 300	7.6	43 000	7.6	51 700	7.5	61 600	7.4
	45	15 600	9.4	20 300	9.5	25 700	9.5	32 000	9.5	39 100	9.4	47 300	9.4	56 500	9.3
	55	-	-	17 500	11.7	22 500	11.8	28 200	11.8	34 800	11.8	42 200	11.8	50 700	11.7
SZ242	35	18 600	8.0	23 700	8.1	29 700	8.1	36 800	8.1	44 900	8.1	54 200	8.1	64 900	8.0
	45	16 400	10.0	21 100	10.0	26 800	10.1	33 300	10.1	40 900	10.1	49 600	10.0	59 500	10.0
	55	-	-	18 300	12.5	23 400	12.5	29 300	12.5	36 200	12.5	44 200	12.5	53 300	12.4
SZ250	35	19 000	8.1	24 300	8.1	30 500	8.1	37 600	8.1	45 800	8.1	55 100	8.0	65 600	7.9
	45	16 600	10.0	21 600	10.1	27 400	10.1	34 100	10.1	41 700	10.1	50 400	10.0	60 200	9.9
	55	-	-	18 600	12.5	23 900	12.5	30 000	12.6	37 000	12.6	45 000	12.5	54 000	12.5
SZ285	35	21 700	9.3	27 800	9.4	34 900	9.4	43 100	9.5	52 600	9.5	63 400	9.4	75 600	9.3
	45	19 000	11.4	24 700	11.5	31 400	11.6	39 100	11.6	47 900	11.6	58 000	11.6	69 400	11.5
	55	-	-	21 400	14.2	27 500	14.2	34 500	14.3	42 600	14.4	51 900	14.4	62 400	14.3
SZ290	35	21 900	9.5	28 000	9.6	35 200	9.6	43 500	9.7	53 100	9.7	64 000	9.6	76 300	9.5
	45	19 200	11.6	24 900	11.7	31 600	11.8	39 400	11.9	48 300	11.9	58 500	11.9	70 000	11.8
	55	-	-	21 600	14.4	27 700	14.5	34 800	14.6	43 000	14.6	52 300	14.7	62 900	14.6
SZ310	35	23 300	10.1	29 800	10.2	37 500	10.3	46 300	10.3	56 500	10.3	68 100	10.2	81 200	10.1
	45	20 400	12.4	26 600	12.5	33 700	12.6	42 000	12.6	51 400	12.6	62 300	12.6	74 500	12.5
	55	-	-	23 000	15.4	29 500	15.5	37 100	15.5	45 800	15.6	55 700	15.6	67 000	15.6
SZ320	35	24 400	10.5	31 300	10.6	39 300	10.7	48 700	10.8	59 400	10.8	71 700	10.8	85 700	10.8
	45	21 500	12.8	27 900	12.9	35 400	13.0	44 100	13.1	54 100	13.2	65 600	13.2	78 600	13.2
	55	-	-	24 200	15.8	31 000	15.9	39 000	16.0	48 200	16.1	58 700	16.2	70 700	16.2
SZ322	35	23 600	10.4	30 100	10.5	37 800	10.5	46 900	10.6	57 600	10.7	69 900	10.8	84 100	10.8
	45	21 000	12.8	27 000	12.9	34 200	13.0	42 500	13.1	52 300	13.2	63 700	13.2	76 700	13.2
	55	-	-	23 800	15.9	30 200	16.0	37 800	16.1	46 600	16.2	56 900	16.2	68 900	16.2
SZ350	35	26 000	11.4	33 200	11.5	41 800	11.6	51 700	11.7	63 100	11.8	76 200	11.7	91 100	11.7
	45	22 800	13.8	29 600	14.0	37 600	14.1	46 800	14.2	57 500	14.3	69 700	14.3	83 500	14.3
	55	-	-	25 700	17.1	33 000	17.3	41 400	17.4	51 200	17.5	62 400	17.5	75 100	17.5
SZ370	35	27 600	12.1	35 400	12.3	44 500	12.4	55 000	12.5						

SZ R407C

PERFORMANCE DATA

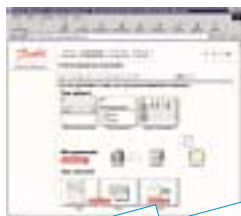
Model	To	-20°C		-15°C		-10°C		-5°C		0°C		5°C		10°C		15°C	
		Tc	Qo	Pe	Qo	Pe	Qo	Pe	Qo	Pe	Qo	Pe	Qo	Pe	Qo	Pe	Qo
SZ084	35	7 200	3.9	9 300	3.9	11 800	4.0	14 800	4.0	18 300	4.0	22 300	4.0	27 000	4.0	32 300	3.9
	45	-	-	8 100	4.9	10 400	4.9	13 200	5.0	16 400	5.0	20 100	5.0	24 400	5.0	29 300	4.9
	55	-	-	-	-	-	-	11 300	6.2	14 200	6.2	17 500	6.2	21 400	6.2	25 800	6.2
SZ090	35	7 600	4.1	9 800	4.1	12 500	4.2	15 600	4.2	19 300	4.2	23 600	4.2	28 500	4.2	34 100	4.1
	45	-	-	8 600	5.1	11 000	5.2	13 900	5.2	17 300	5.2	21 200	5.2	25 700	5.2	30 900	5.2
	55	-	-	-	-	-	-	12 000	6.5	15 000	6.5	18 500	6.5	22 500	6.5	27 200	6.5
SZ100	35	8 100	4.3	10 500	4.4	13 300	4.4	16 600	4.4	20 500	4.5	25 000	4.4	30 100	4.4	36 000	4.4
	45	-	-	9 100	5.5	11 700	5.5	14 800	5.5	18 300	5.5	22 500	5.5	27 200	5.5	32 600	5.5
	55	-	-	-	-	-	-	12 700	6.9	15 900	6.9	19 600	6.9	23 800	6.9	28 700	6.9
SZ110	35	9 300	4.9	12 000	5.0	15 200	5.0	19 000	5.0	23 400	5.0	28 500	5.0	34 300	5.0	40 900	4.9
	45	-	-	10 500	6.2	13 400	6.3	16 900	6.3	20 900	6.3	25 600	6.3	31 000	6.2	37 100	6.2
	55	-	-	-	-	-	-	14 500	7.9	18 100	7.9	22 300	7.9	27 200	7.8	32 700	7.8
SZ115	35	10 100	5.4	13 100	5.4	16 600	5.4	20 800	5.5	25 600	5.4	31 100	5.4	37 400	5.4	44 500	5.3
	45	-	-	11 400	6.8	14 700	6.8	18 500	6.8	22 900	6.8	28 000	6.8	33 800	6.8	40 400	6.7
	55	-	-	-	-	-	-	15 800	8.7	19 800	8.7	24 400	8.6	29 600	8.6	35 600	8.5
SZ120	35	11 000	5.7	14 200	5.7	17 900	5.8	22 200	5.8	27 300	5.8	32 200	5.8	39 900	5.7	47 600	5.6
	45	-	-	12 400	7.2	15 800	7.3	19 800	7.3	24 500	7.3	29 900	7.2	36 000	7.2	43 100	7.0
	55	-	-	-	-	-	-	17 000	9.2	21 200	9.2	26 100	9.2	31 600	9.1	38 000	9.0
SZ125	35	10 700	5.8	13 800	5.8	17 500	5.8	21 800	5.8	26 800	5.8	32 700	5.8	39 400	5.8	47 100	5.9
	45	-	-	12 000	7.4	15 400	7.4	19 400	7.4	24 100	7.3	29 500	7.3	35 700	7.3	42 900	7.3
	55	-	-	-	-	-	-	16 600	9.4	20 800	9.3	25 600	9.3	31 200	9.3	37 700	9.2
SZ148	35	13 500	6.9	17 300	7.0	21 700	7.0	27 000	7.0	33 100	7.1	40 300	7.1	48 500	7.1	57 800	7.2
	45	-	-	15 300	8.7	19 400	8.8	24 200	8.8	29 800	8.9	36 400	8.9	43 900	8.9	52 500	8.9
	55	-	-	-	-	-	-	21 200	11.1	26 200	11.1	32 100	11.1	38 900	11.1	46 700	11.1
SZ160	35	14 800	7.3	19 000	7.4	23 900	7.5	29 700	7.6	36 400	7.6	44 300	7.6	53 300	7.6	63 600	7.6
	45	-	-	16 800	9.3	21 300	9.4	26 700	9.4	32 900	9.5	40 100	9.5	48 400	9.5	58 000	9.5
	55	-	-	-	-	-	-	23 200	11.8	28 800	11.9	35 200	11.9	42 700	11.9	51 400	11.9
SZ161	35	14 600	7.4	18 700	7.5	23 500	7.5	29 200	7.6	35 800	7.6	43 500	7.6	52 400	7.7	62 600	7.8
	45	-	-	16 500	9.4	21 000	9.5	26 200	9.5	32 300	9.5	39 300	9.5	47 500	9.6	56 900	9.6
	55	-	-	-	-	-	-	22 900	12.0	28 400	12.0	34 700	12.0	42 100	12.0	50 600	12.0
SZ175	35	15 500	8.0	19 800	8.0	25 000	8.1	31 100	8.2	38 100	8.2	46 300	8.2	55 600	8.2	66 200	8.2
	45	-	-	17 400	10.0	22 200	10.1	27 800	10.2	34 300	10.2	41 700	10.2	50 300	10.3	60 000	10.2
	55	-	-	-	-	-	-	24 000	12.7	29 800	12.8	36 500	12.8	44 200	12.8	53 000	12.8
SZ185	35	16 600	8.6	21 300	8.6	26 900	8.7	33 400	8.8	41 000	8.8	49 700	8.8	59 700	8.8	71 100	8.8
	45	-	-	18 700	10.8	23 800	10.9	29 800	10.9	36 800	11.0	44 900	11.0	54 100	11.0	64 500	11.0
	55	-	-	-	-	-	-	25 700	13.7	32 000	13.7	39 200	13.8	47 500	13.8	56 900	13.8
SZ240	35	22 400	11.7	28 800	11.8	36 400	11.9	45 300	12.1	55 800	12.2	67 900	12.4	81 800	12.5	97 800	12.6
	45	19 500	14.3	25 400	14.4	32 300	14.6	40 500	14.8	50 000	15.0	61 100	15.2	73 900	15.4	88 600	15.5
	55	-	-	21 800	17.9	28 000	18.0	35 300	18.2	43 800	18.4	53 800	18.7	65 300	18.9	78 500	19.2
SZ300	35	28 600	13.7	36 100	13.9	45 000	14.1	55 400	14.3	67 500	14.5	81 600	14.7	97 800	14.9	116 300	15.2
	45	25 500	16.9	32 500	17.2	40 800	17.6	50 400	17.9	61 700	18.2	74 700	18.5	89 800	18.8	107 200	19.1
	55	-	-	28 400	21.2	35 700	21.6	44 400	22.1	54 500	22.5	66 400	22.9	80 100	23.2	95 900	23.6
SZ170	35	14 200	7.8	18 300	7.9	23 200	8.0	29 100	8.0	36 000	8.0	44 000	8.0	53 200	8.0	63 700	7.9
	45	-	-	16 000	9.7	20 600	9.8	25 900	9.9	32 200	10.0	39 600	10.0	48 100	9.9	57 700	9.9
	55	-	-	-	-	-	-	22 300	12.3	27 900	12.4	34 500	12.4	42 100	12.4	50 900	12.4
SZ180	35	15 000	8.2	19 400	8.3	24 600	8.3	30 800	8.4	38 000	8.4	46 400	8.4	56 100	8.3	67 100	8.2
	45	-	-	17 000	10.3	21 800	10.4	27 400	10.4	34 100	10.5	41 800	10.5	50 700	10.4	60 800	10.4
	55	-	-	-	-	-	-	23 600	13.0	29 500	13.0	36 400	13.1	44 400	13.0	53 600	13.0
SZ200	35	16 000	8.7	20 600	8.8	26 100	8.8	32 700	8.9	40 300	8.9	49 200	8.9	59 300	8.8	70 900	8.7
	45	-	-	18 000	10.9	23 100	11.0	29 100	11.1	36 100	11.1	44 200	11.1	53 600	11.0	64 300	10.9
	55	-	-	-	-	-	-	25 000	13.8	31 300	13.9	38 600	13.9	47 000	13.8	56 600	13.8
SZ220	35	18 400	9.9	23 700	9.9	30 000	10.0	37 400	10.1	46 100	10.1	56 100	10.0	67 500	10.0	80 600	9.8
	45	-	-	20 700	12.5	26 500	12.5	33 300	12.6	41 300	12.6	50 500	12.5	61 000	12.5	73 000	12.3
	55	-	-	-	-	-	-	28 600	15.8	35 800	15.8	44 000	15.8	53 500	15.7	64 400	15.5
SZ230	35	20 000	10.8	25 800	10.8	32 800	10.9	40 900	10.9	50 400	10.9	61 200	10.9	73 700	10.8	87 700	10.7
	45	-	-	22 500	13.6	28 900	13.7	36 400	13.7	45 200	13.6	55 200	13.6	66 700	13.5	79 700	13.4
	55	-	-	-	-	-	-	31 100	17.4	38 900	17.3	48 000	17.3	58 400	17.2	70 200	17.0
SZ242	35	21 600	11.4	27 900	11.5	35 200	11.6	43 800	11.6	53 800	11.6	65 400	11.5	78 600	11.4	93 700	11.2
	45	-	-	24 300	14.4	31 100	14.5	39 100	14.6	48 200	14.6	58 800	14.5	71 000	14.3	84 900	14.1
	55	-	-	-	-	-	-	33 600	18.3	41 800	18.4	51 300	18.3	62 300	18.1	74 800	17.9
SZ250	35	21 100	11.7	27 200	11.7	34 400	11.7	42 900	11.7	52 900	11.7	64 400	11.7	77 700	11.7	92 800	11.7
	45	-	-	23 700	14.7	30 400	14.7	38 300	14.7	47 500	14.7	58 100	14.6	70 400	14.6	84 500	14.6
	55	-	-	-	-	-	-	32 700	18.7	40 900	18.6	50 500	18.6	61 600	18.5	74 300	18.4
SZ285	35	25 100	13.2	32 300	13.3	40 700	13.4	50 700	13.4	62 300	13.4	75 800	13.5	91 300	13.5	109 100	13.5
	45	-	-	28 400	16.6	36 200	16.7	45 400	16.8	56 100	16.8	68 600	16.8	82 900	16.8	99 400	16.8
	55	-	-	-	-	-	-	39 200	21.2	48 800	21.2	59 900	21.2	72 900	21.2	87 800	21.2
SZ290	35	25 200	13.4	32 500	13.5	41 000	13.5	51 100	13.6	62 800	13.7	76 200	13.7	91 600	13.6	109 000	13.5
	45	-	-	28 400	16.8	36 300	16.9	45 600	17.0	56 300	17.0	68 700	17.0	82 900	17.0	99 000	16.9
	55	-	-	-	-	-	-	39 100	21.4	48 800	21.5	59 900	21.5	72 700	21.4	87 300	21.3
SZ296	35	26 600	13.8	34 000	13.9	42 800	14.0	53 200	14.1	65 300	14.2	79 300	14.2	95 500	14.3	114 000	14.4
	45	-	-	30 100	17.5	38 200	17.6	47 700	17.7	58 800	17.7	71 600	17.7	86 500	17.8	103 500	17.8
	55	-	-	-	-	-	-	41 700	22.2	51 700	22.3	63 200	22.3	76 600	22.3	92 000	22.3
SZ310	35	26 100	14.4	33 600	14.5	42 400	14.6	52 800	14.6	65 000	14.7	79 000	14.7	95 000	14.7	113 300	14.7
	45	-	-	29 300	18.1	37 400	18.2	47 000	18.3	58 100	18.3	70 900	18.3	85 700	18.3	102 500	18.3
	55	-	-	-	-	-	-	40 100	23.0	50 00							

PERFORMER TECHNOLOGY



Further reference

For more exhaustive information on Performer Scroll compressors, please refer to the following documents:



Online Datasheet Generator

www.danfoss.com/odsg

A new tool, providing user-friendly access to full technical data, performance data and outline drawings for each individual compressor.



Selection and Application Guidelines for Performer single and tandem

Literature: GA 038 - 01/01 GB

With performance data, operating envelopes, outline drawings, electrical data, installation and application information for performer SM and SZ compressors.

Technology, Manufacturing and range description

Literature: CC 023 - 03/03 GB

Above documents and datasheet generator are available on the Danfoss Compressors internet website:
<http://cc.danfoss.com>

The Danfoss product range for the refrigeration and air conditioning industry:

Compressors for refrigeration and air conditioning

These products include hermetic reciprocating compressors, scroll compressors and fan-cooled condensing units. Typical applications are air conditioning units, water chillers and commercial refrigeration systems.



Compressors and Condensing Units

This part of the range includes hermetic compressors and fan-cooled condensing units for household refrigerators and freezers, and for commercial units such as bottle coolers and drinks dispensers. We also offer compressors for heat pumps, and 12 and 24 V compressors for refrigerators and freezers in commercial vehicles and boats.



Appliance Controls

Danfoss offers a range of customer-specific electromechanical thermostats for refrigerators and freezers, electronic temperature controls with or without display, and service thermostats for use when servicing refrigeration and freezing appliances.



Refrigeration and air conditioning controls

Our full product range covers all control, safety, system protection and monitoring requirements in mechanically and electronically controlled refrigeration and air conditioning systems. The products are used in countless applications within the commercial and industrial refrigeration and air conditioning sectors.



Danfoss can accept no responsibility for possible errors in catalogues, brochures and other printed material. Danfoss reserves the right to alter its products without notice. This also applies to products already on order provided that such alterations can be made without subsequential changes being necessary in specifications already agreed. All trademarks in this material are property of the respective companies. Danfoss and the Danfoss logotype are trademarks of Danfoss A/S. All rights reserved.

Украина, Киев
+38 (063) 427-59-87
80634275987@ukr.net

Поставка, монтаж и сервисное обслуживание промышленного холодильного и климатического оборудования